

## Balterio WaterShield



### Product:

The Balterio WaterShield is a high-quality professional, transparent and elastic one-component joint sealant based on silicones. Waterproof and in transparent color.

- Ideal for watertight sealing of connection joints between skirting boards and walls, along walls, stairs, radiator tubes, etc.
- Perfect for watertight sealing of profiles.
- Perfect solution for Balterio HydroShield laminate.
- In general: excellent adhesion on Balterio laminate, aluminum (profiles), MDF, melamine, PVC.
- UV-resistant: maintains adhesion and consistency in UV-light



- Contents: 310 ml
- Code: SFKITTRANSP
- Packaging quantity: 12



### Characteristics:

Permanent elasticity, easy to apply, water resistant, neutral, low odor and non-corrosive.  
Frost free: resistant to temperatures between -60° and +180°C.

### Usage:

12 m/tube (joint 0.5 x 0.5 cm).

### Instructions:

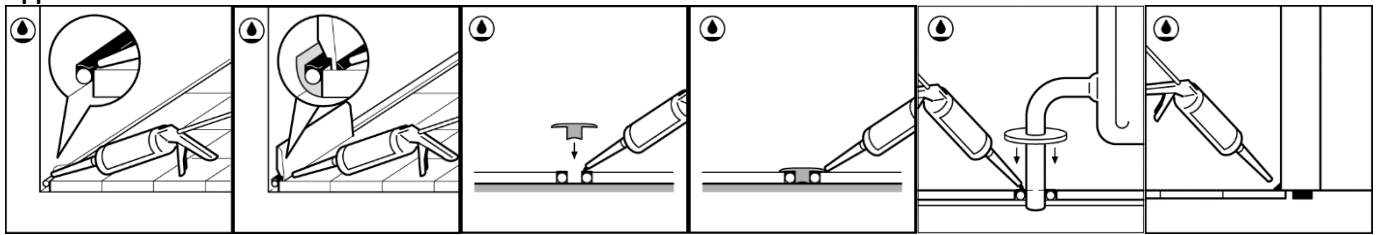
- Apply Balterio WaterShield using a caulk gun on a clean, dry, dust-free and grease-free surface; then smoothen with a putty knife.
- The Balterio WaterShield should preferably be applied at temperatures between +5°C and +30°C.
- Maximum expansion of 25%.

### Storage life

Shelf life min. 15 months after production date (refer to batch code) if stored unopened in a cool dry place.

For more info: [www.Balterio.com](http://www.Balterio.com).

### Applications

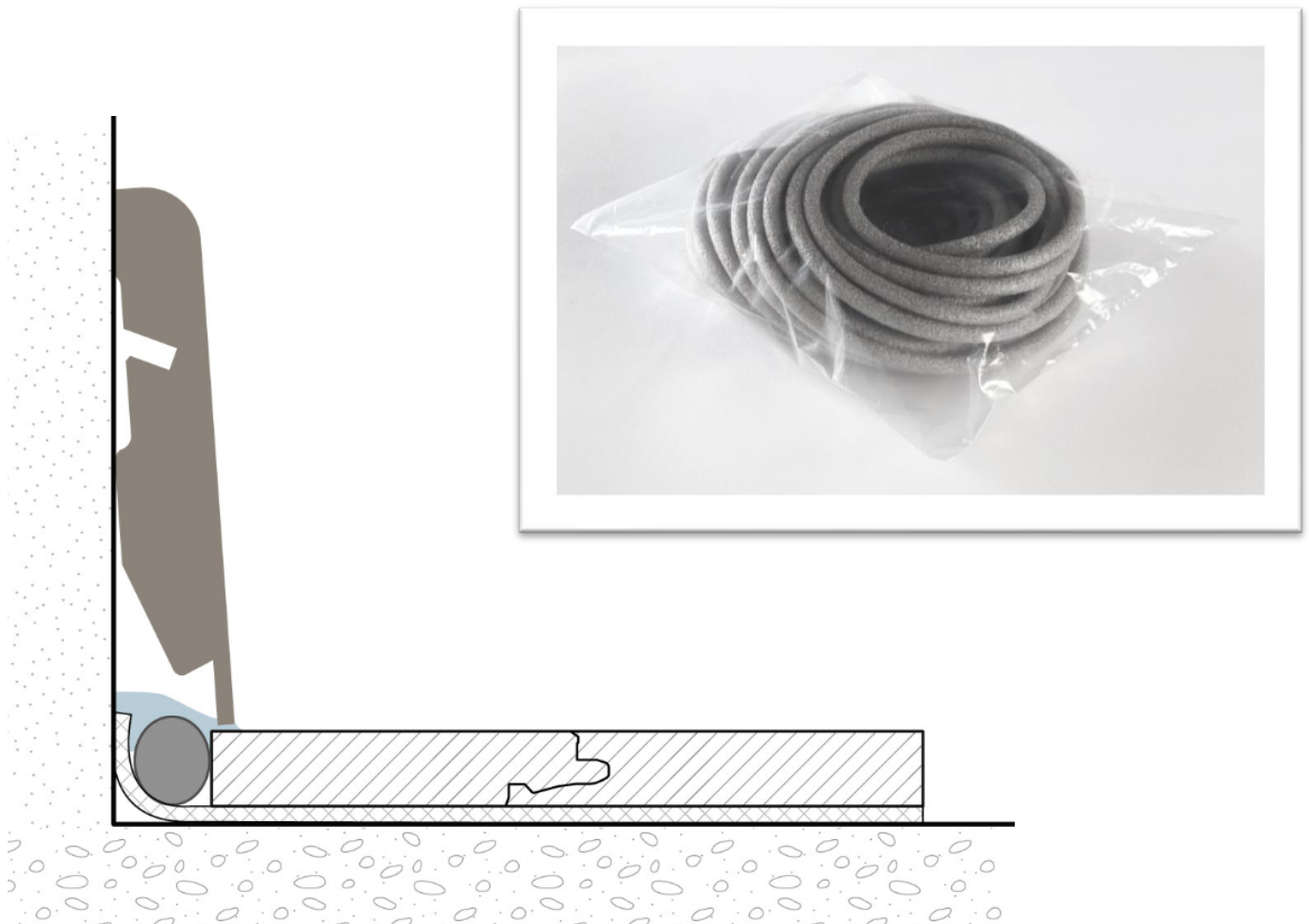


The use of WaterShield is in the below drawings marked in **blue**.

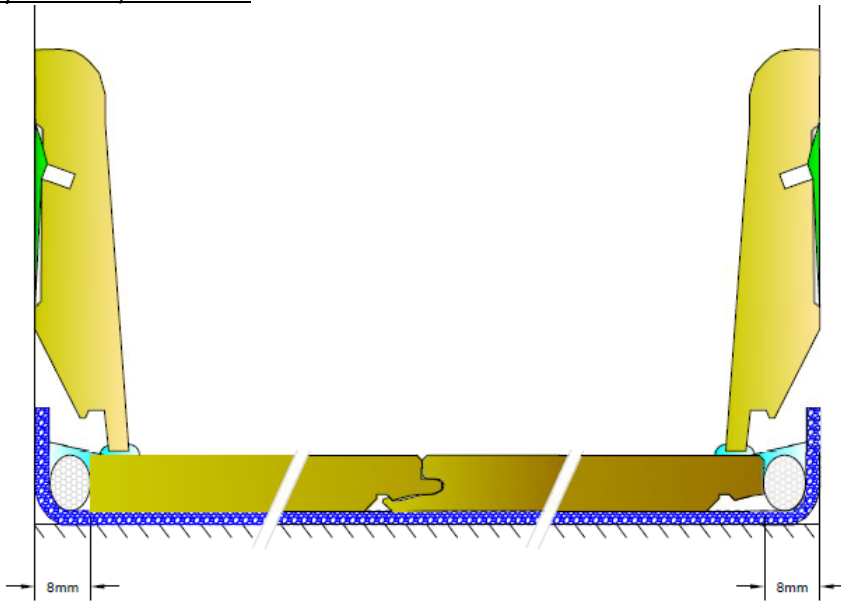
#### Remark:

This is how a perfect watertight installation of your skirtings can be achieved: use our PE foam strip (NEFOAMSTRIP20):

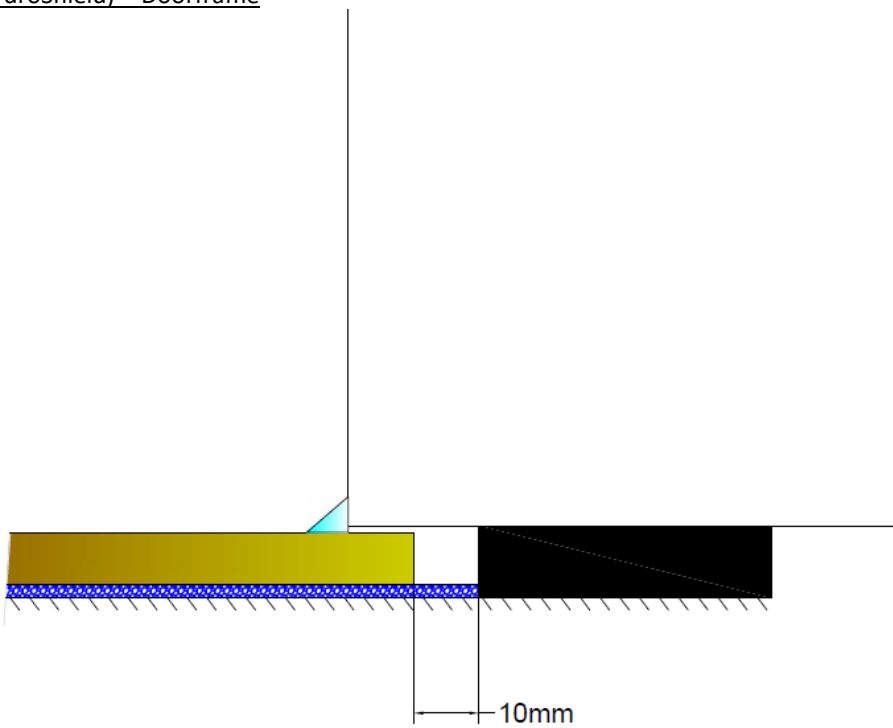
- Underlay to be installed with flap folded upwards
- Extruded profile (foam) to close the expansion gap and avoid excessive use of the WaterShield
- Our skirtings are finished with a water repellent coating at the bottom.



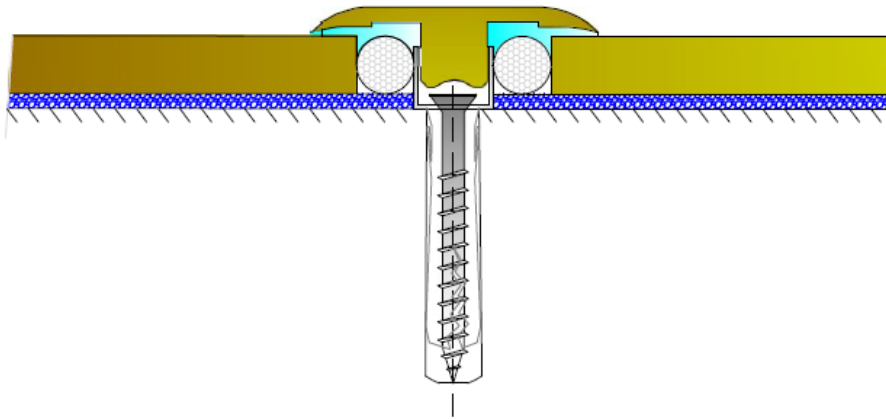
(HydroShield) – Wallbase



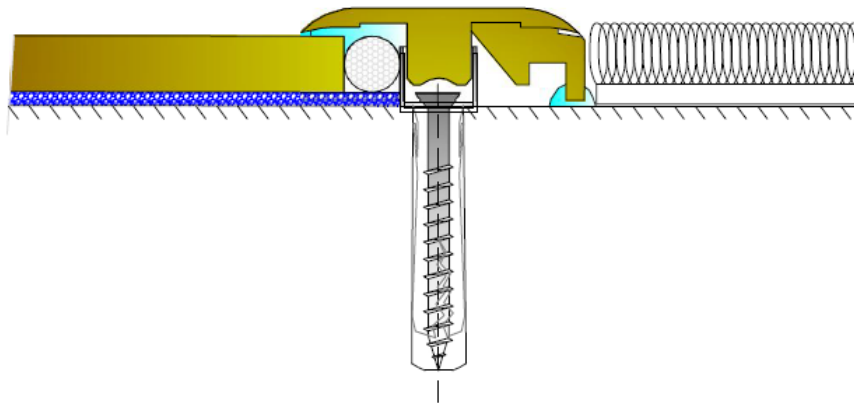
(HydroShield) - Doorframe



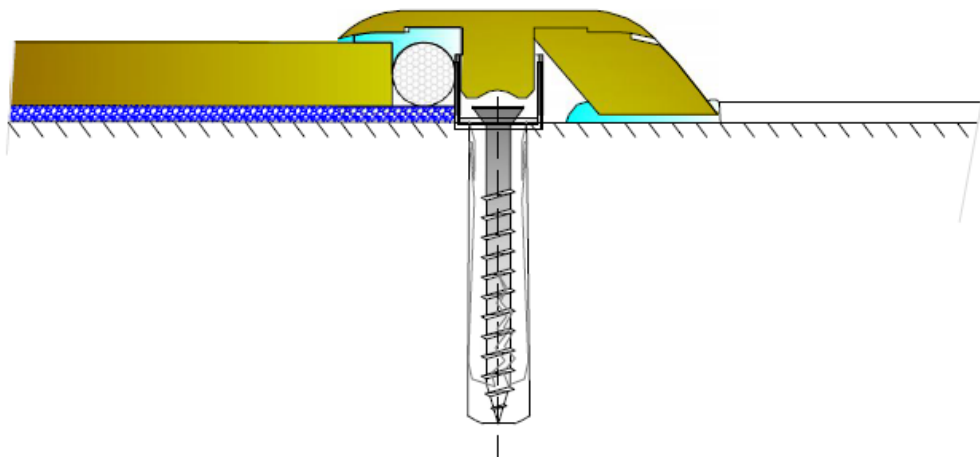
1. T-application



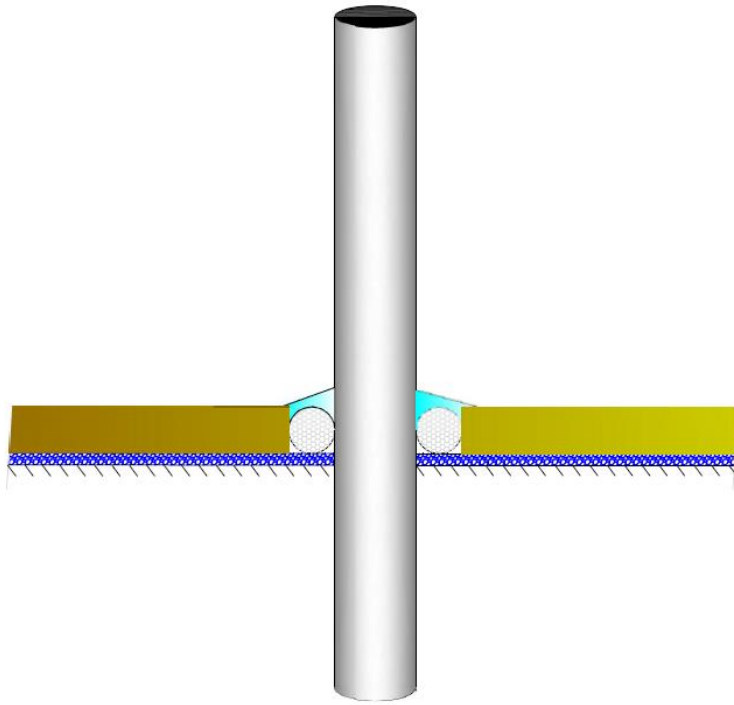
2. End-application



3. Adaptor – application



Radiator pipe without pipe cover



Radiator pipe with pipe cover

