

SmartFinish®

Product

The SmartFinish AquaProtect is a high-quality professional, transparent and elastic one-component joint sealant based on silicones. Waterproof and in transparent color.

- Ideal for watertight sealing of connection joints between skirting boards and walls, along walls, stairs, radiator tubes, etc.
 - Perfect for watertight sealing of profiles.
 - Perfect solution for laminate.
 - In general: excellent adhesion on laminate, aluminum (profiles), MDF, melamine, PVC.
 - UV-resistant: maintains adhesion and consistency in UV-light
- Contents: 310 ml
 - Code: SFKITTRANSP
 - Packaging quantity: 12



Characteristics:

Permanent elasticity, easy to apply, water resistant, neutral, low odor and non-corrosive. Frost free: resistant to temperatures between -60° and +180°C.

Usage:

12 m/tube (joint 0.5 x 0.5 cm).

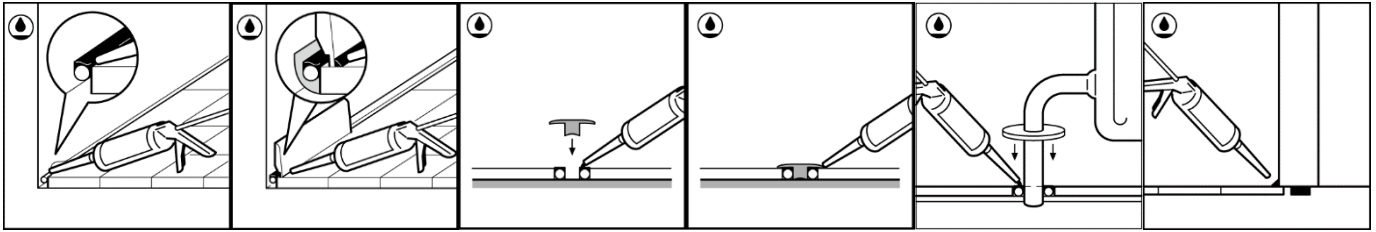
Instructions:

- Apply SmartFinish AquaProtect using a caulk gun on a clean, dry, dust-free and grease-free surface; then smoothen with a putty knife.
- The SmartFinish AquaProtect should preferably be applied at temperatures between +5°C and +30°C.
- Maximum expansion of 25%.

Storage life

Shelf life min. 15 months after production date (refer to batch code) if stored unopened in a cool dry place.

Applications

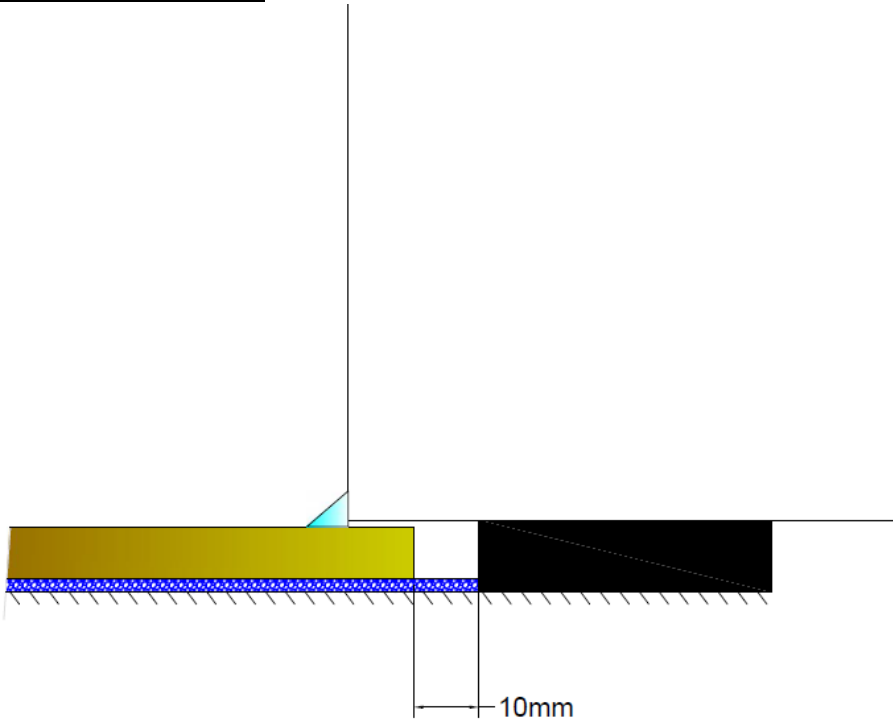


The use of AquaProtect is in the below drawings marked in **blue**.

Wallbase

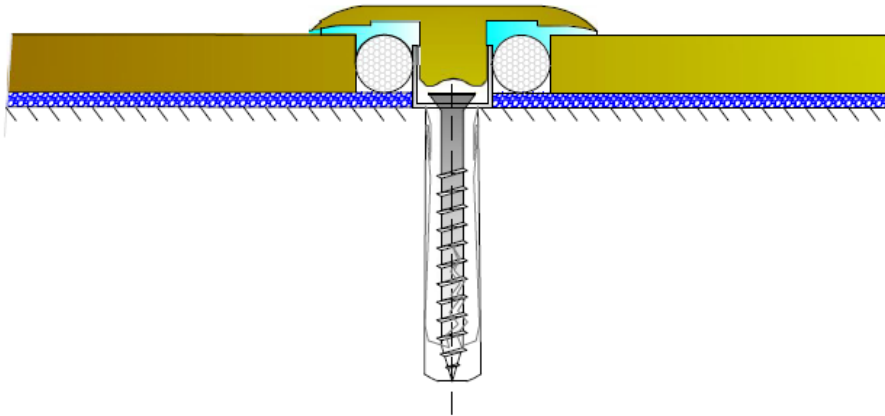


(AquaProtect) - Doorframe

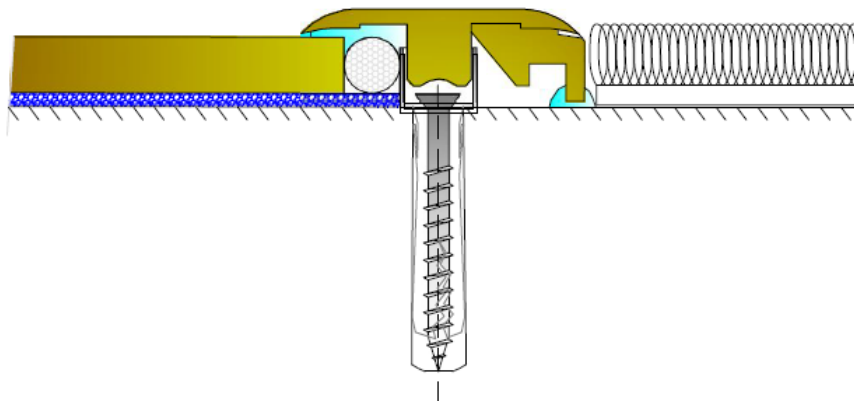


(AquaProtect) – Smart Profile

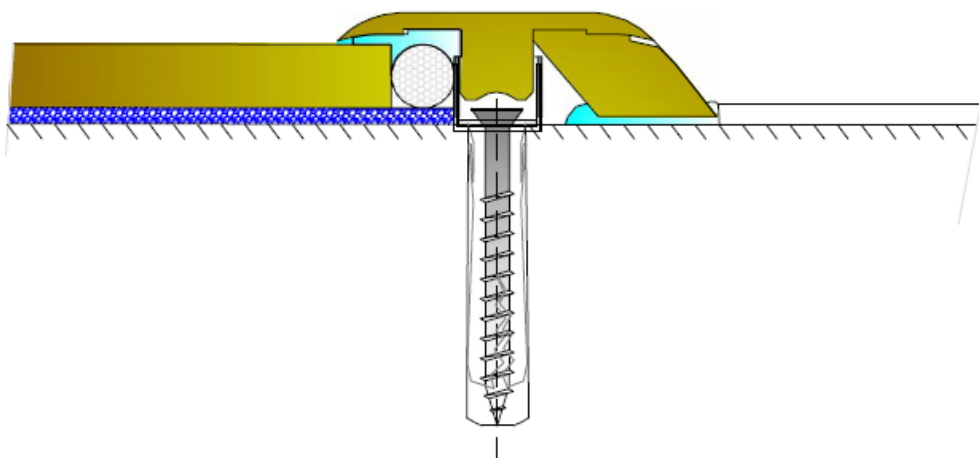
1. T-application



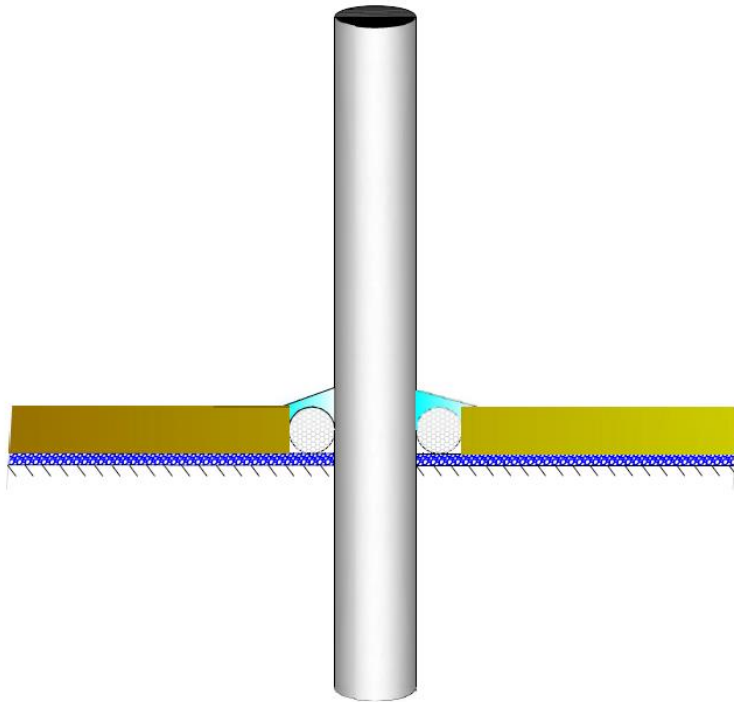
2. End-application



3. Adaptor – application



Radiator pipe without pipe cover



Radiator pipe with pipe cover

